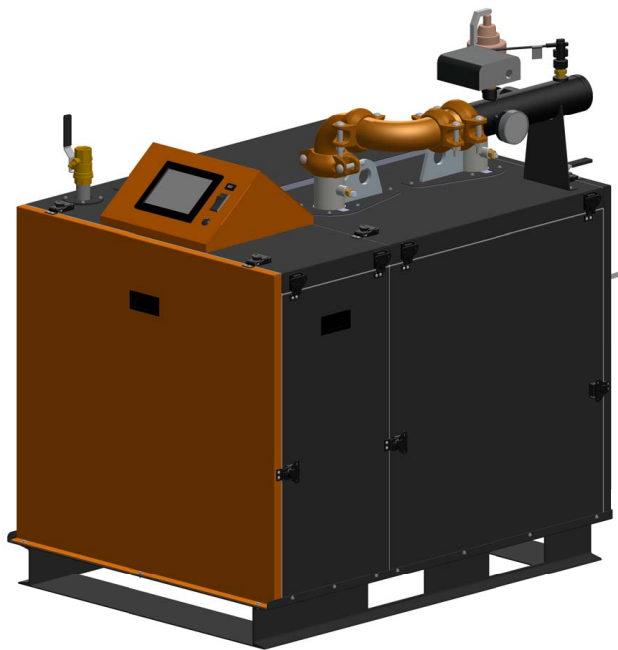




## REPAIR PARTS MANUAL



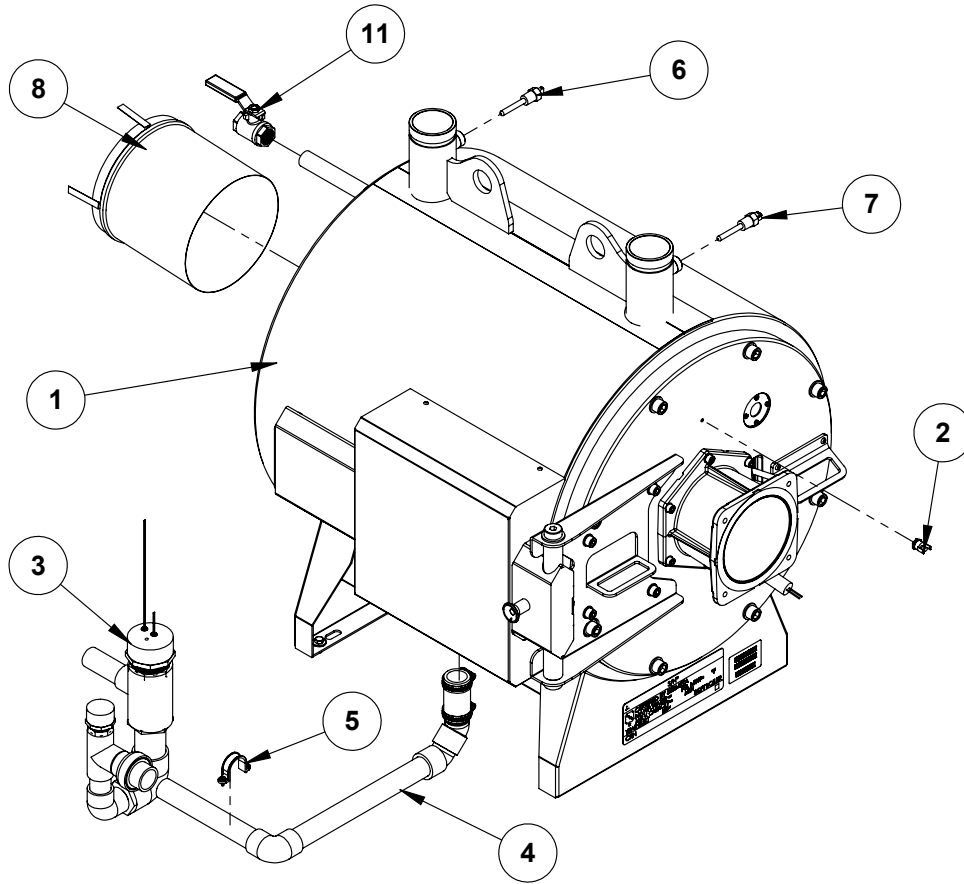
Heating Boiler Models	
AMP 1000	AMP 2500
AMP 1250	AMP 3000
AMP 1500	AMP 3500
AMP 2000	AMP 4000

Water Heater/Hot Water Supply Boiler Models	
AMPW 1000	AMPW 2500
AMPW 1250	AMPW 3000
AMPW 1500	AMPW 3500
AMPW 2000	AMPW 4000

### NOTICE

The replacement parts noted in this manual are for a standard AMP series appliance. Different features or components may have been supplied based on the requests of the customer. Consult Thermal Solutions for repair parts on non-standard controls and components.

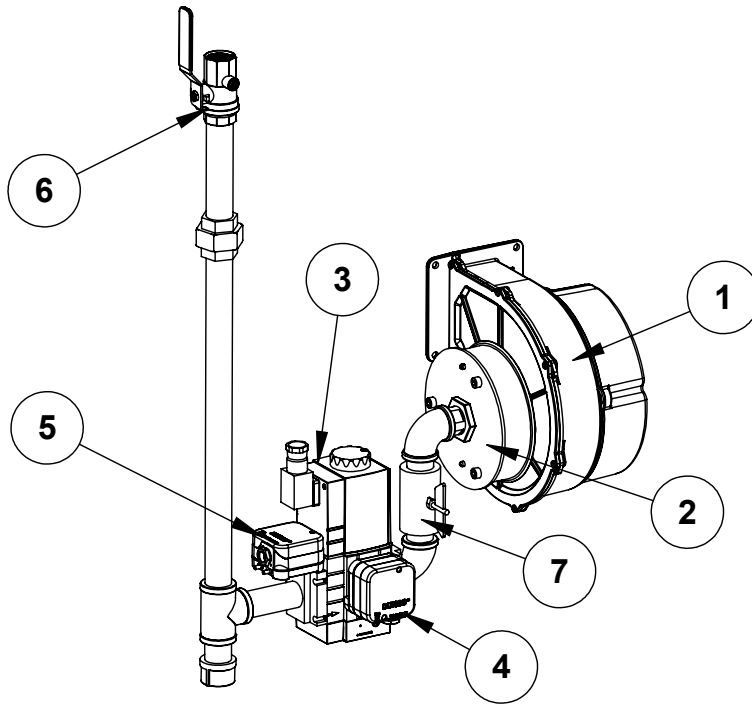
Repair parts can be ordered through your local Thermal Solutions Representative.



**Table 1: AMP Heat Exchanger Assembly Part Numbers**

Item No.	Descriptions	AMP Model Size								
		1000	1250	1500	2000	2500	3000	3500	4000	
1	Heat Exchanger	108229-01		108229-02	108229-03		108229-04		108229-05	
2	Thermal Fuse	108360-01								
3	Condensate Trap	108266-01								
4	Condensate Drain line	108265-01		108265-02	108265-01		108592-32			
5	Condensate Clamp	108629-01								
6	Inlet Temp. Sensor	108362-01								
7	Outlet Temp. Sensor	108363-01								
8	Vent Adapter	108361-01		108361-02	108361-01		108592-41		108592-40	
9	Stack Temp Sensor	108364-01								
10	Air pres. line connector	109535-01 (Lock Nut, Bras), 822630 (Male Comp.)								
11	Drain Valve	101615-01								
<b>AMPW Part Numbers*</b>										
1	Heat Exchanger	108229-06		108229-07	108229-08		108229-04		108229-05	
11	Drain Valve	101615-02								

\* For AMPW parts. Part numbers under AMPW replace the corresponding part numbers above.



**Table 2: AMP Gas Train Part Numbers**

Item No.	Descriptions	AMP Model Size							
		1000	1250	1500	2000	2500	3000	3500	4000
1	Combustion Blower	108262-01		108262-03			108262-04		
2	Swirl Plate Kit	105327-01		107475-01	P20271		108592-82		
3	Gas Valve	108299-01		107563-01					
4	High Gas Pres. SW	105328-01							
5	Low Gas Pres. SW	105329-01							
6	Main Shutoff Valve	806603055		806603054		806603053		806604691	
7	Secondary Shutoff	105325-01		105325-01		105325-01		81660726	
*	Air Proving SW Line	9016006							

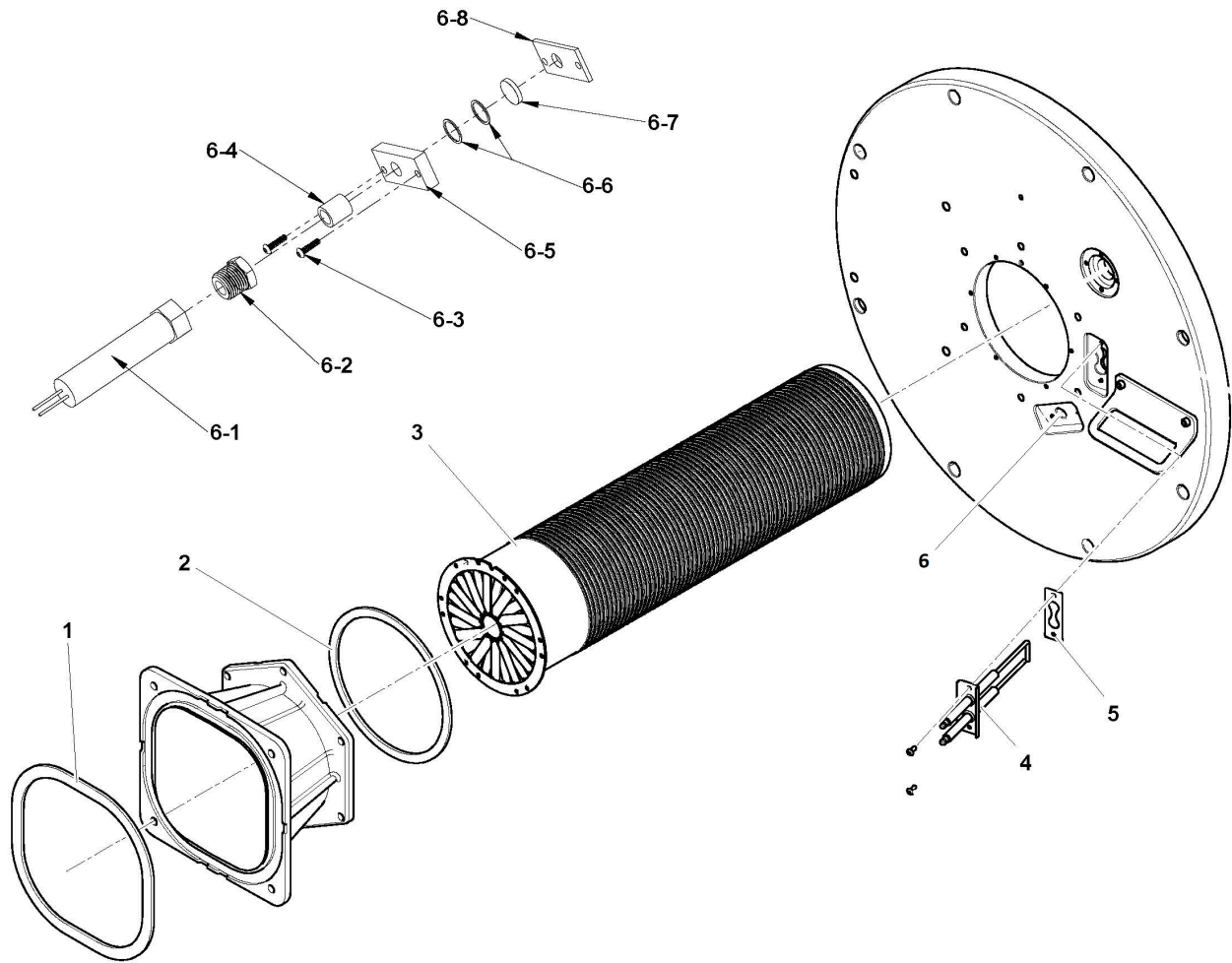
\* Not shown in the drawing

**Table 3: AMP 1500 Duel Gas Part Numbers**

Dual Gas AMP 1500		
3-1	Natural Gas Valve	107563-01
3-2	Propane Gas Valve	108299-01
6-1	Natural Main Shutoff	806603054
6-2	Propane Main Shutoff	806603055

**Note:**

For sizes other than 1500, the same gas valve and shutoff valve is used for both natural and propane gas trains. Use Table 2.



**Table 4: AMP Burner Door Assembly Part Numbers**

Item No.	Descriptions	AMP Model Size							
		1000	1250	1500	2000	2500	3000	3500	4000
1	Fan Gasket	108861-03		108861-04					
2	Burner Gasket	108861-05							
3	Burner	108861-10		108861-11	108861-12	108861-19		108861-20	
4	Ignition Electrode	108861-08							
5	Ignition Gasket	108861-09							
6	UV Scanner Assembly	108630-02							
6-1	UV Scanner	8026145							
6-2	1/2" X 1/4" Bushing	806600524							
6-3	UV Mounting Screws	108507-01							
6-4	1/4" Close Nipple	806600048							
6-5	UV Mounting Plate	108380-01							
6-6	UV Sight Glass Gasket	T20073							
6-7	UV Sight Glass	108309-01							
6-8	UV Mounting Gasket	108241-07							
7*	Observation Port Plate	108861-36							
8*	Observation Port Glass	108861-07							
9*	Observation Port Gasket	108861-35							

\* Not labeled in drawing

**Table 5: AMP Electronics and Controls Part Numbers**

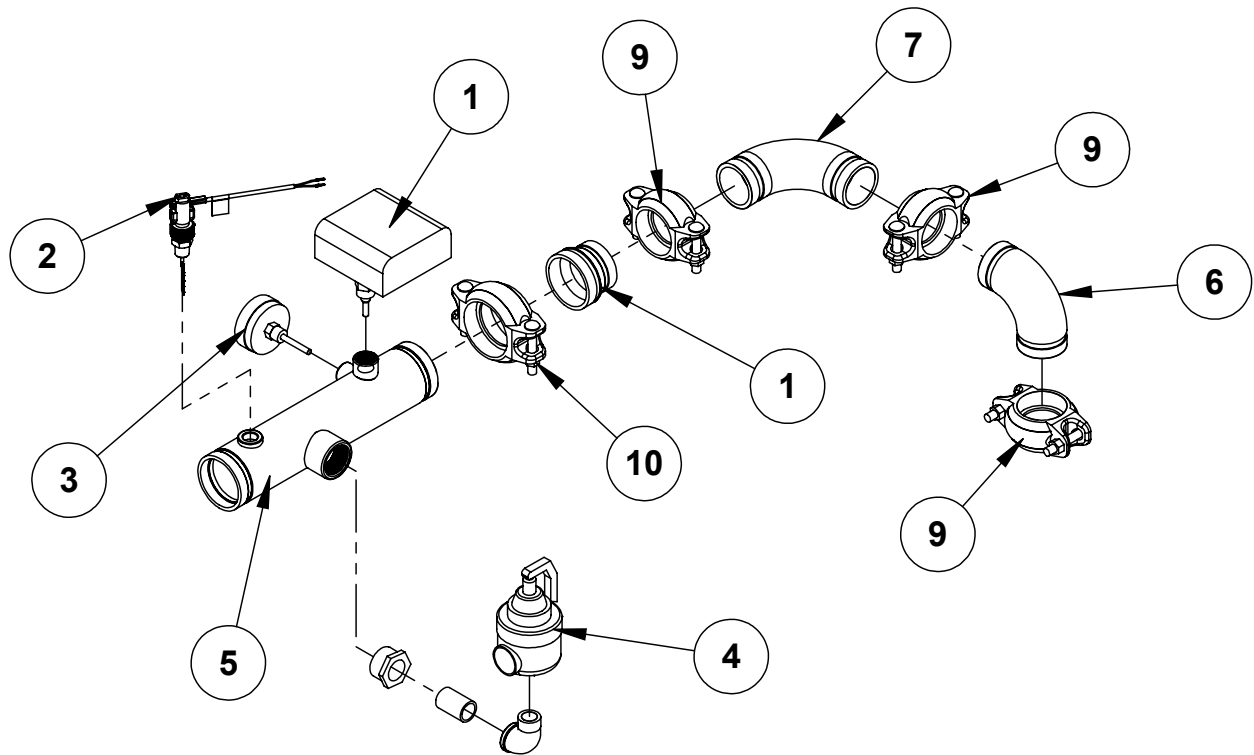
Item No.	Descriptions	AMP Model Size							
		1000	1250	1500	2000	2500	3000	3500	4000
1	Main Boiler Control	107478-01							
2	Display	105682-01							
3	On/Off switch	108431-01							
4	Power Supply, 24VDC	105680-01							
5	24 VAC Transformer	103193-01							
6	Line Voltage PCB-01	106164-01							
7	Field Device PCB-02	106165-01							
8	Limits PCB-03*	107229-01							
9	Sensors PCB-04	106698-01							
10	EMS PCB-05	106699-01							
11	Comm. PCB-06	106166-01							
12	Ignition Transformer	80160208							
13	Ignition Cable Assy.	105218-02							
14	Air Proving SW	108394-01	108394-02	108394-03	108394-04				
15	Blocked Vent SW	108395-01							
16	Blocked Vent SW Line	92465560							

\* Optional

**Table 6: AMP Wire Harness Part Numbers**

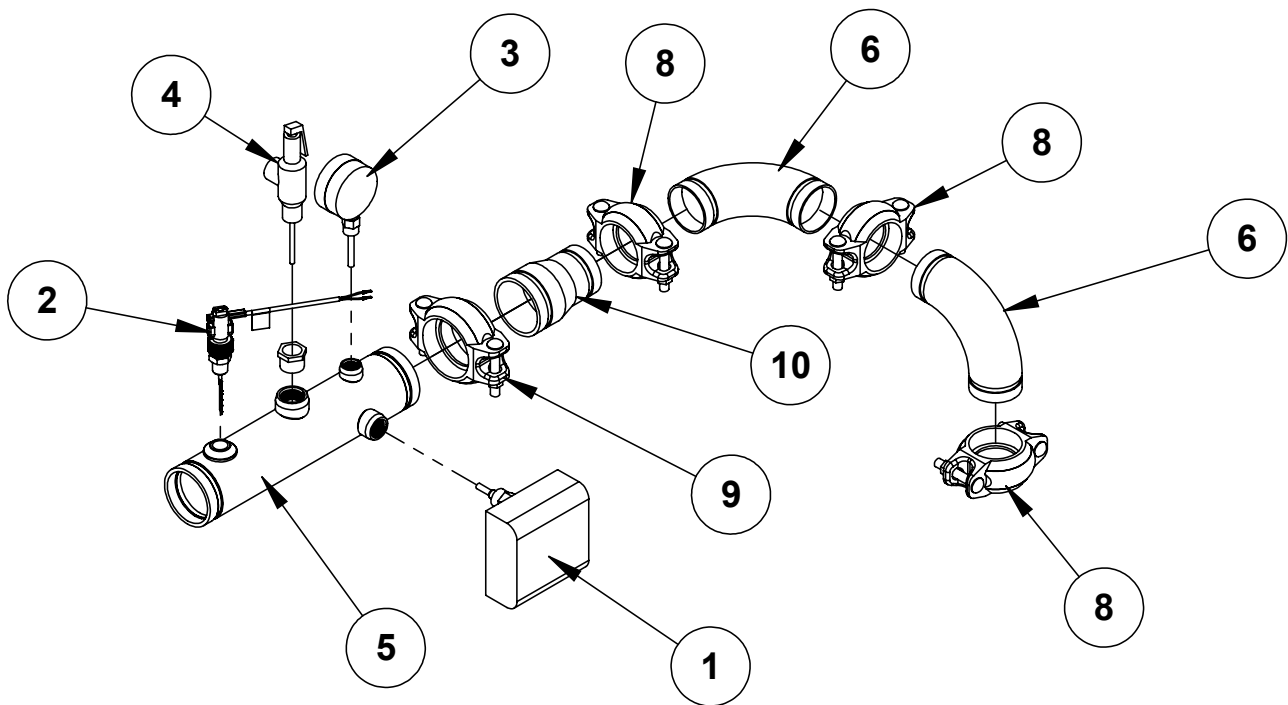
Item No.	Descriptions	AMP Boiler Model Size							
		1000	1250	1500	2000	2500	3000	3500	4000
1	Line Voltage, Control Box	108464-05		108464-01					
2	Low Voltage, Control Box	108465-05		108465-01					
3	Lower Control Box	108465-07		-					
4	Line Voltage, Inside Jacket	108464-02							
5	Low Voltage, Inside Jacket	108465-06		108465-02					
6	Supply/Return sensors	108465-04							
7	LWCO and Flow Switch	108464-04							
8	Display, Low Voltage	108465-03							
9	ON/OFF SW, Line Voltage	108464-03							
10	Wire Harness Set	108628-01		108628-02					
<b>Dual Gas AMP*</b>									
4	Line Voltage, Inside Jacket	108464-06							
-	Gas Selection SW	108464-07							
10	Wire Harness Set	108628-03				108628-04			

\* For Dual Gas AMP parts. Part numbers under Dual Gas section replace the corresponding part numbers above.



**Table 7: AMP Heating Boiler Outlet Manifold Part Numbers**

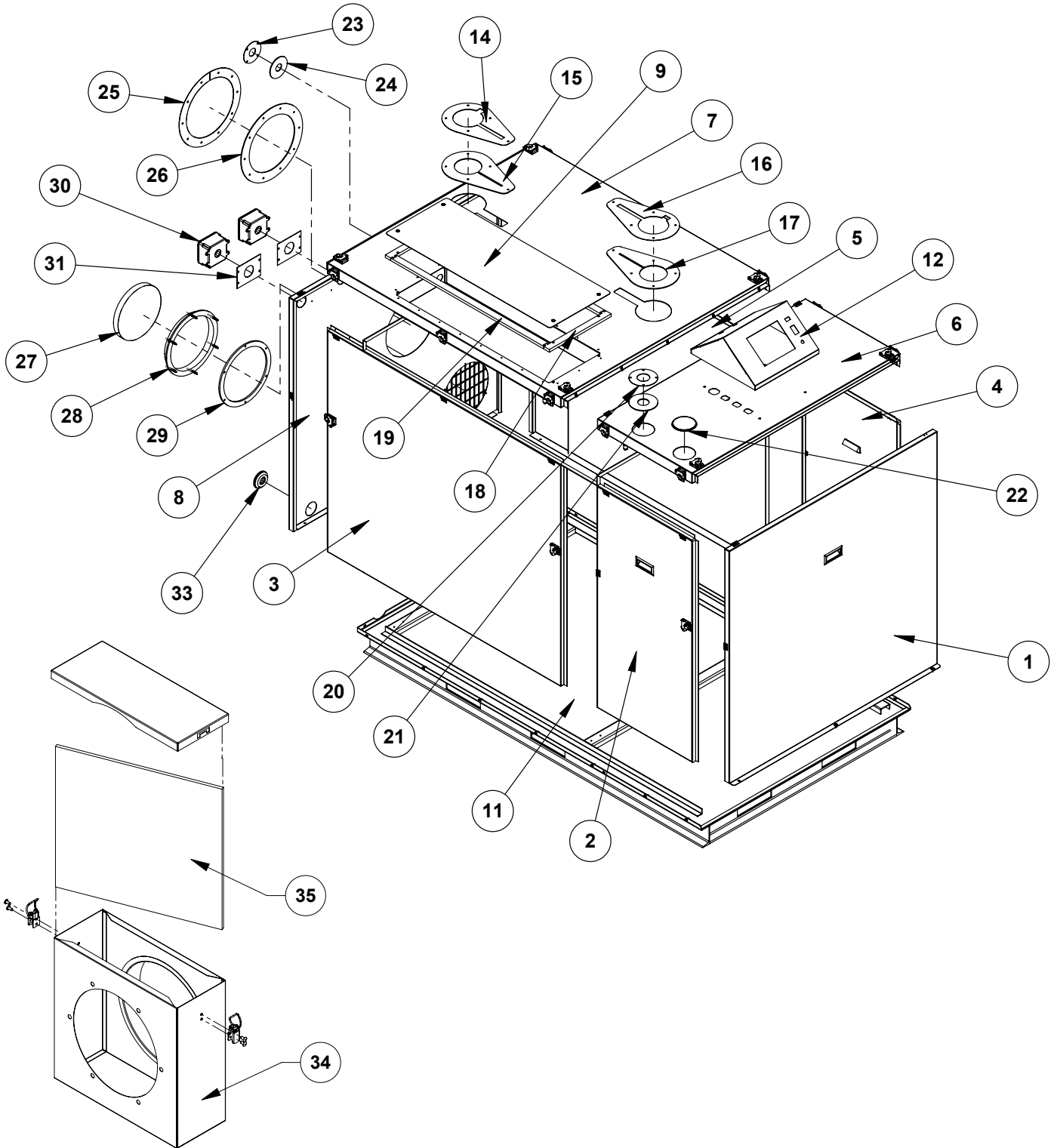
Item No.	Descriptions	AMP Boiler Model Size							
		1000	1250	1500	2000	2500	3000	3500	4000
1	Low Water Cutt-Off (LWCO)	28344.3							
2	Water Flow SW	Switch: 108396-00, 1" Adapter: 108396-03, 1/2" Adapter: 108396-04							
3	<b>Temp/Pres. Gauge</b>								
	For relief valves of 30, 50, or 60 psi	103470-01							
	For relief valves of 75, 100, or 125 psi	103470-02							
	For 150 psi relief valve	103470-03							
4	<b>Relief Valve</b>								
	30 psi	81660338		81660334		81660335		81660336	
	50 psi	81660359		81660362		81660357			
	60 psi	81660375		81660376		81660379			
	75 psi	81660374			81660389			81660383	
	100 psi	81660377					81660381		
	125 psi	81660378			81660373			81660390	
	150 psi	81660378							81660385
5	Water Manifold	108374-01				108592-36			
6	Short Radius Elbow	108375-01				104037-01			
7	Long Radius Elbow	108592-45				-			
8	Support Bracket	108592-46				108592-47			
9	Coupling 1	108592-42				104035-01			
10	Coupling 2	104035-02				-			
11	Concentric Reducer	108376-01				-			



**Table 8: AMP Water Heater Outlet Manifold Part Numbers**

Item No.	Descriptions	AMPW Model Size							
		1000	1250	1500	2000	2500	3000	3500	4000
1	Low Water Cutt-Off	28344.3							
2	Water Flow SW	Switch: 108396-00, 1/2" Adapter: 108396-04							
3	Temp/Pres. Gauge	103470-04							
4	Relief Valve	109297-01		109297-02	109297-03		816603992		
5	Water Manifold	108374-02			108374-03				
6	Elbow	109278-01			109278-02				
7	Support Bracket	109282-01			109282-02				
8	Coupling 1	108592-42			104035-01				
9	Coupling 2	104035-02			-				
10	Concentric Reducer	108376-01			-				

# AMP Jacket Panels, Gaskets and Trim Rings





**Table 9: AMP Jacket and Gasket Part Numbers**

Item No.	Descriptions	AMP Boiler Model Size							
		1000	1250	1500	2000	2500	3000	3500	4000
1	Front Jkt. Panel	108254-02				108592-10			
2	Front Left Jkt. Panel	108257-06		108257-05		108592-19		108592-63	
3	Back Left Jkt. Panel	108256-03		108256-01		108592-17		108592-59	
4	Front Right Jkt. Panel	108258-06		108258-05		108592-21		108592-65	
5	Back Right Jkt. Panel	108256-02		108256-01		108592-17		108592-59	
6	Front Top Panel	108252-02		108252-01		108592-11		108592-67	
7	Back Top Panel	108251-01		108251-02		108592-13		108592-61	
8	Back Panel	108250-01				108592-14		108592-69	
9	Control Box Cover	108253-04		108253-03					
10*	Lower Control Box Cover	108253-05		-					
11	Base Assembly	108235-01		108235-02		108235-03		108592-54	
12	Display Box	108259-01							
13**	Latch Assembly	108430-01 (latch), 108430-02 (keeper)							
14	Inlet Trim Plate	108241-01		108241-02		108592-24			
15	Inlet Gasket	108241-04		108241-05		108592-25			
16	Outlet Trim Plate	108241-01				108592-24			
17	Outlet Gasket	108241-04				108592-25			
18	Short Control Box gasket	108592-51							
19	Long Control Box Gasket	108592-43		108592-44					
20	Gas Inlet Trim Plate	108241-16		108241-16		108874-32		108874-24	
21	Gas Inlet Gasket	108241-15		108241-17		108874-33		108874-25	
22	Gas Inlet Plug	108874-59				108874-60			
23	Drain Trim Plate	108241-13				108241-13			
24	Drain Trim Gasket	108241-15		108241-14		108241-15			
25	Stack Trim Ring	108242-01				108592-22		108592-73	
26	Stack Trim Gasket	8205660				108592-23		108592-74	
27	Air Filter	109071-01				108592-39		108592-70	
28	Air Inlet Ring	81156108				81156109		905180	
29	Air Inlet Ring Gasket	82056108				82056109		108592-38	
30	Junction Box	108631-01							
31	Junction Box Gasket	108509-01							
32**	208V+ Junction Box	108267-04							
33	Condensate Grommet	820SOL0002							
34†	Air Box and Lid Assembly	T40353				110056-27		110056-28	
35†	Washable Air Filter	T20215				T20215		110056-38	

\* Lower control box used only on 1000 and 1250 models.

\*\*Not shown in drawing.

† Items 35 and 34 replaced items 27 and 28.



P.O. BOX 3244  
Lancaster, PA 17604-3244  
Telephone: 717-239-7642  
Fax: 877-501-5212  
[www.ThermalSolutions.com](http://www.ThermalSolutions.com)